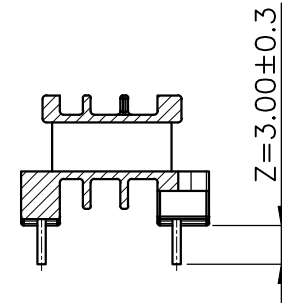
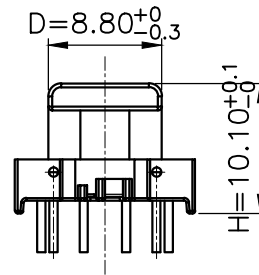
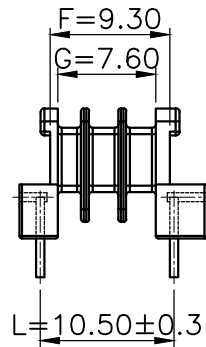
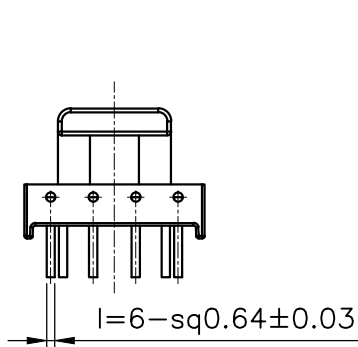
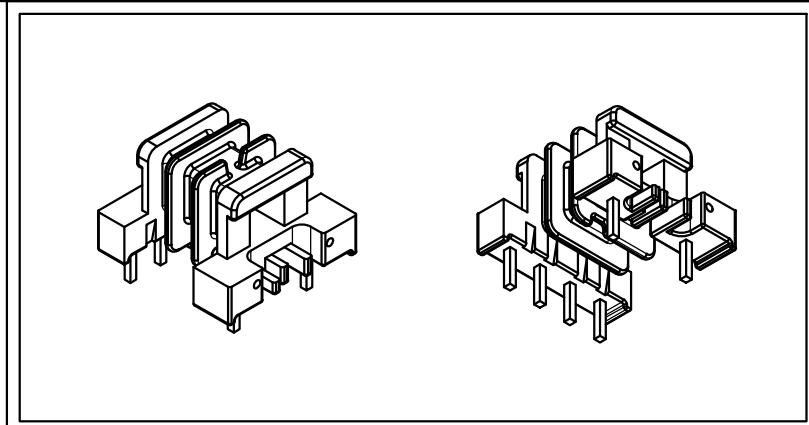
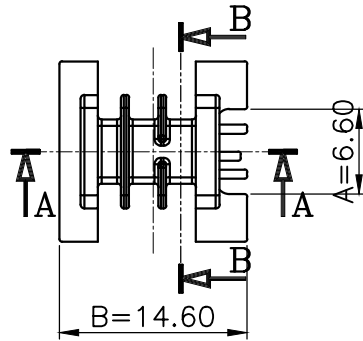
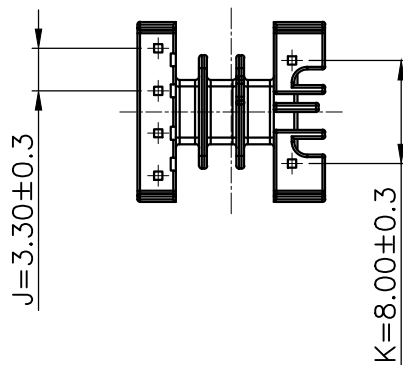


SECTION B-B



SECTION A-A



|  |               |          |   |                   |   |             |          |
|--|---------------|----------|---|-------------------|---|-------------|----------|
| △                                      |               |          |   |                   |   |             |          |
| △                                      |               |          |   |                   |   |             |          |
| △                                      |               |          |   |                   |   |             |          |
| △                                      |               |          |   |                   |   |             |          |
| MARK                                   | REVISION NOTE |          |   | DATE              | DRAWN   | CHECKED     | APPROVED |
| DRAWN                                  | CHECKED       | APPROVED | MATERIAL : P.E.T                                    | UL REC. : UL94V-0 | THIRD ANGLE PROJ.                               | SCALE : 1/1 |          |
| S H, Kim                               | G Y, Lim      | C, Park  | Z : PIN LENGTH<br>(According to customer's request) | DATE : 2011.07.12 | TOLERANCE :±0.2<br>(Unless otherwise specified) | UNIT : m/m  |          |
| 주식회사 대흥보빈<br>DAE HEUNG BOBBIN CO., LTD |               |          | TITLE<br>EE 13*14 "H" (6P) 3F                       |                   | DWG NO<br>DH-110926-2001-21                     |             |          |